

**SPIERINGS  
KRANEN**

Mark: **SPIERINGS**

Type: **SK598-AT5**

**Crane identification**

Serial number:		Crane group : 3 as per NEN 2018	Identification-number	Max. load	Max. radius with max. load	Max. capacity	Max. jiblength
Year of construction:		Loadspectrum : 2 as per NEN 2018	92 tm	8,0 tonne	12,8 m	103 tm	48 m
		Classification : A as per NEN 2018					
		Stability : as per NEN 2022					

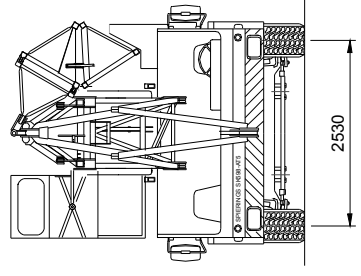
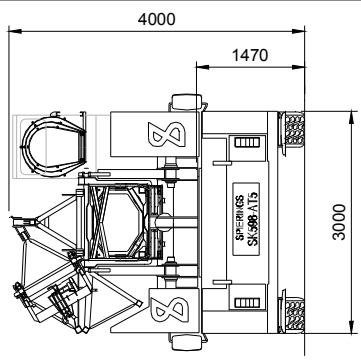
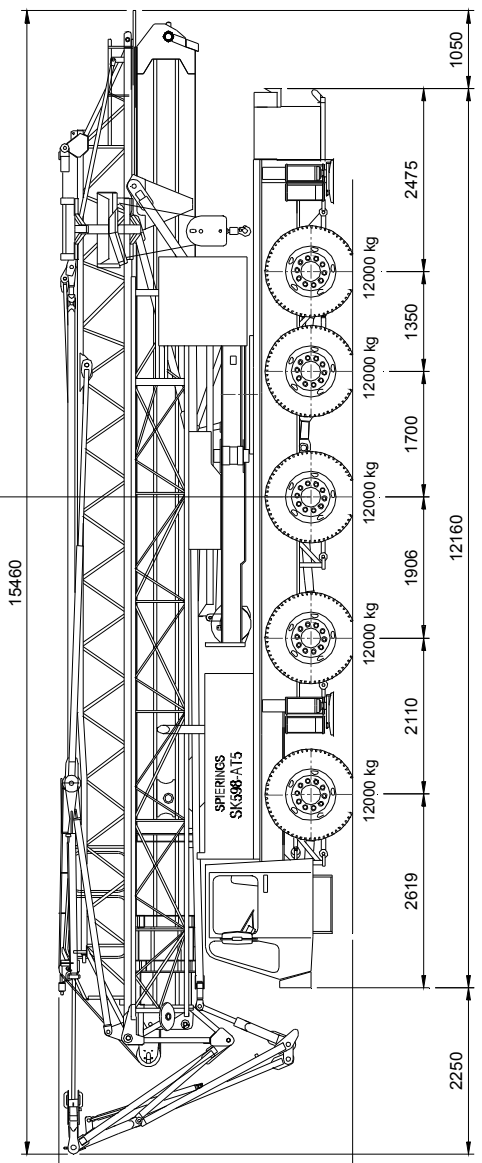
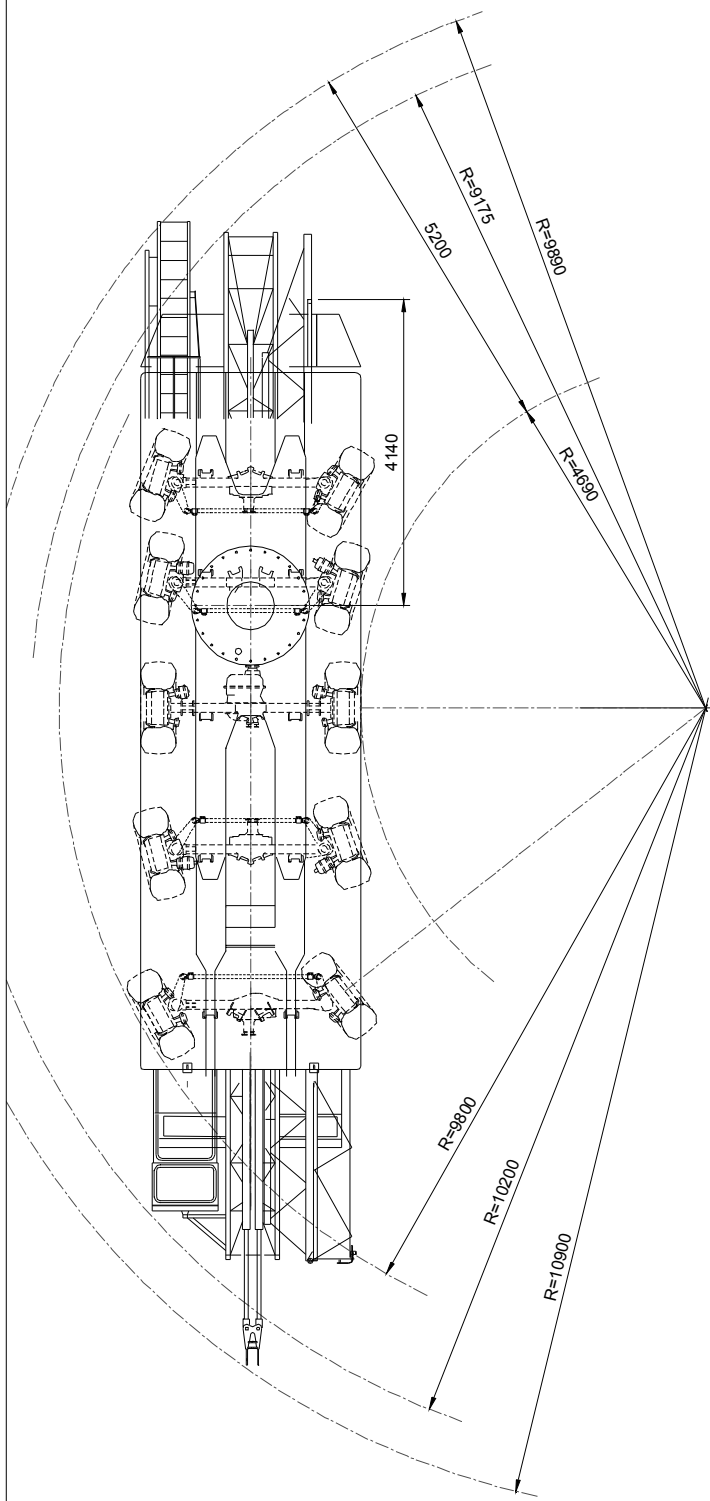
**LIFTING CHART Outrigger spread 7,20 m x 7,20 m**

Jib horizontal		hookheight 23,8 / 30 m (height under jib 25,8 / 32 m)																	
m/min	kg	15	20	25	30	35	40	45	48	radius (m)	load (kg)	radius (m)	load (kg)						
20	8000	7865	6645	5740	5042	4490	4040	3670	3355	2860	2655	2480	2320	2180	2055	1940	1840	1745	1700
30	4000	8000	7205	6160	5370	4750	4255	3845	3505	3220	2970	2755	2400	2250	2115	1995	1880	1790	1700
45	2000																		
75	0																		
0 - 70 m/min		37,7	40,6	43,5	46,4	49,3	52,1	53,2	hookheight (m)	radius (m)	load (kg)	radius (m)	load (kg)						
0-0,8 rpm		15	20	25	30	35	40	41,75											

**LIFTING CHART Outrigger spread 7,20 m x 5,65 m**

Jib horizontal		hookheight 23,8 / 30 m (height under jib 25,8 / 32 m)																				
m/min	kg	10	15	20	25	30	35	40	45	48	radius (m)	load (kg)	radius (m)	load (kg)								
20	8000	7135	5825	4905	4230	3705	3295	2955	2675	2440	2240	2150	1990	1850	1725	1610	1510	1425	1340	1265	1200	
30	4000	8000	6415	5330	4545	3950	3490	3115	2810	2555	2340	2150	1990	1850	1725	1610	1510	1425	1340	1265	1200	
45	2000																					
75	0																					
0 - 70 m/min		37,7	40,6	43,5	46,4	49,3	52,7	53,2	hookheight (m)	radius (m)	load (kg)	radius (m)	load (kg)									
0-0,8 rpm		10	15	20	25	30	35	40	41,75													

All motions with hydraulic proportional controls  
 Luffing the jib 30° can be controlled from crane cab or via remote control  
 Driving with erected tower and jib, only with the jib horizontal and positioned over the front carriage, platform locked to the carrier and the outriggers fully extended (max. inclination 2°)  
 Rated lifting capacity is net capacity  
 Crane equipped with full counterweight: 8700 kg  
 360° continuous slewing, with outriggers out and down  
 2 Outriggers positions: 7,20 x 7,20 m / 7,20 x 5,65 m  
 Operation allowed up to a windforce of 8 on the Beaufortscale. (wind speed 20 m/sec.)  
 Sail area of the load max. 1,0 m<sup>2</sup> / tonne at a windforce of 8 on the Beaufortscale.  
 Operating temperature range from -15° to 40° C.  
 In all cases 2 parts of line  
 Max. line pull force 4000 kg  
 The crane should be folded in at a windforce >10 (24m/sec) or when not in use for a longer period



Mervedestraat 151  
53347 KZ Oss NL  
Tel. 0412-628964  
Fax 0412-645299

# SPIERINGS HYDRAULIC FOLDING CRANE SK 598 - AT5

Total weight: 60000kg

# SPIERINGS HYDRAULIC FOLDING CRANE SK 598 - AT5

**SPIERINGS  
KRANEN BV**  
Merwedestraat 15  
5347 KZ Oss NL  
Tel. 0412-626964  
Fax 0412-645299

