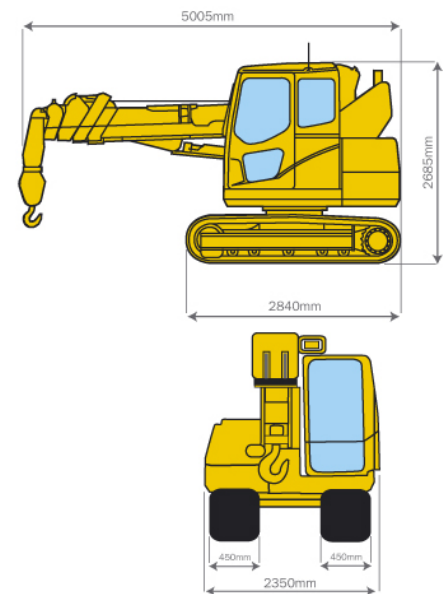




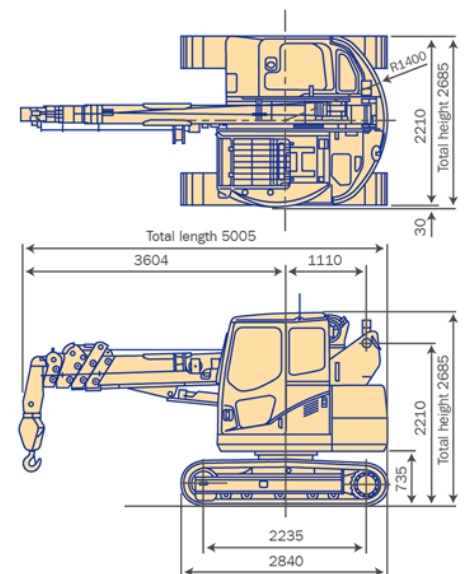
Maeda LC-785 Technische Spezifikation

Specification	
Model	LC785
Crane capacity	4.9 t x 2.1m
Max. working radius	14.52m
Max. lifting height	16.35m
Hook speed	Two speed 27 / 39m / min. (4 falls, 4th layer)
Single line speed	Two speed 108 / 156m / min. (4th layer)
Hoist rope	IWRC 6 x Fi (29) 10mm x 115m
Telescopic system	
Boom length	4.63m - 15.63m
Telescoping speed	11m / 24.5 sec
Boom type	Fully automatic 5 section pentagonal telescopic boom
Boom hoist system	
Hoist angle / speed	- 2° to 80° (12.5 sec.)
Slew system	
Slew angle / speed	360° continuous / 2.4 rpm
Drive	Both sides independent steering control, hydraulic piston motor with in-built automatic brake, planet reduction gears, sprocket crawler.
Traction speed	
Travel speed – low	0 – 2.5 km/h
Travel speed – high	0 – 3.8 km/h
Gradability	20°
Crawler length x width	1,870mm x 450mm
Ground pressure	46.8 kpa / cm ² (0.48 kg / cm ²)
Engine	
Model	Komatsu S4D95LE-3-A
Type	4 cylinder diesel, water cooled, direct injection

Overall Size



Outrigger Spread Dimensions



Working range chart

